



GCL INDIA (P) LIMITED

# GCL INDIA (P) LIMITED

An ISO 9001 : 2000 Certified Company



## WORLD CLASS CIRCULAR WEAVING MACHINES FOR PP / PE WOVEN FABRIC

GCL India Pvt. Ltd. today is a globally recognized name with an installed base of over 7000 machines working in a diverse spectrum of applications.

A pioneer in the HDPE / PP woven application technology, GCL offers complete turnkey solutions for the packaging industry.

Driven by a mission to create world-class machines, the GCL in-house R&D team is dedicated to improving and innovating products to help GCL remain at the forefront of technology. The innovative 6 Shuttle GCL-6S summarizes GCL's commitment to outrun standards. Especially it's own. Delivering higher productivity of small width fabric at significantly lower costs, the GCL-6S leaves competition far behind with it's performance, weaving profits.

## GCL - 6S

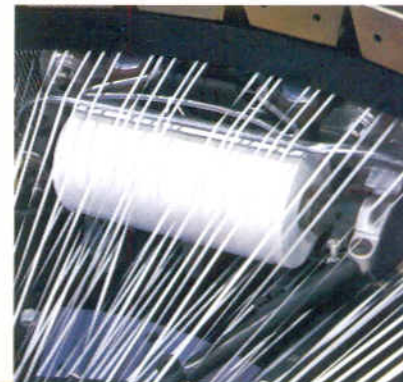
### STANDARD FEATURES

- Two creels
- Warp infeed system
- Warp break sensor
- Weft break sensor
- Three manual control units
- Cloth haul-off
- Automatic weft cramping device
- One weaving ring-specified by the customer
- Loom controller
- Surface winder
- Bobbin storage above the intake

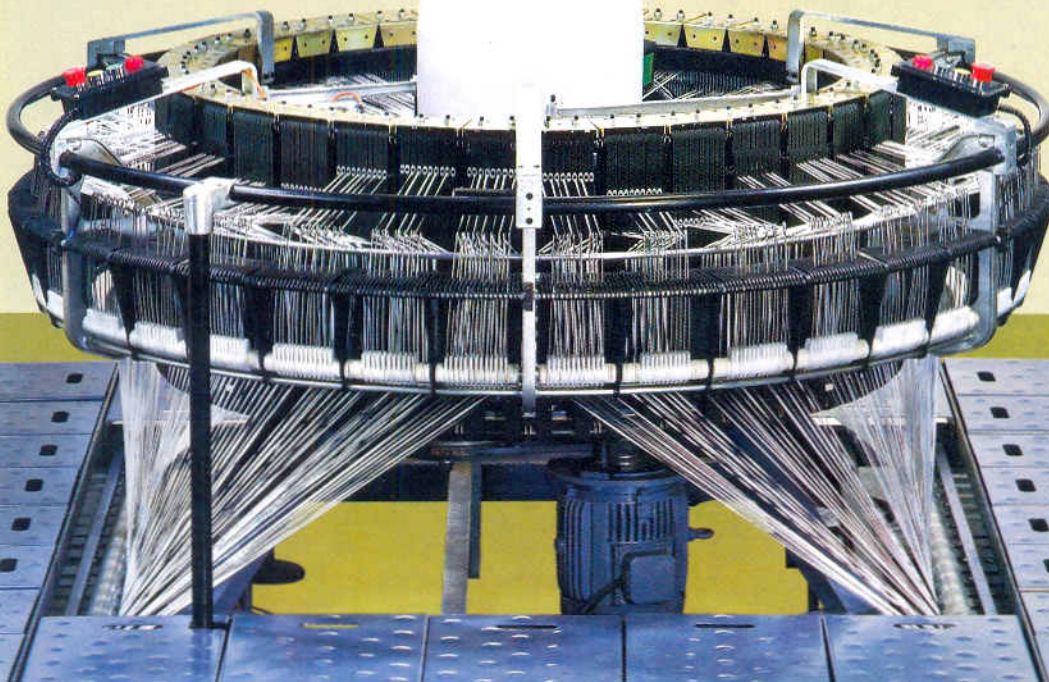
### OPTIONAL FEATURES

- Colour Mark sensor
- Electrically controlled inlet system
- Loom monitoring system
- Heat slitting and unfolding device
- Ultrasonic cutting device
- Gussetting unit

Shuttles



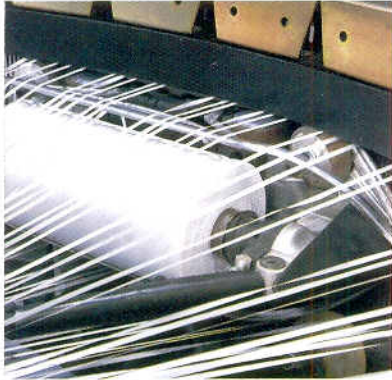
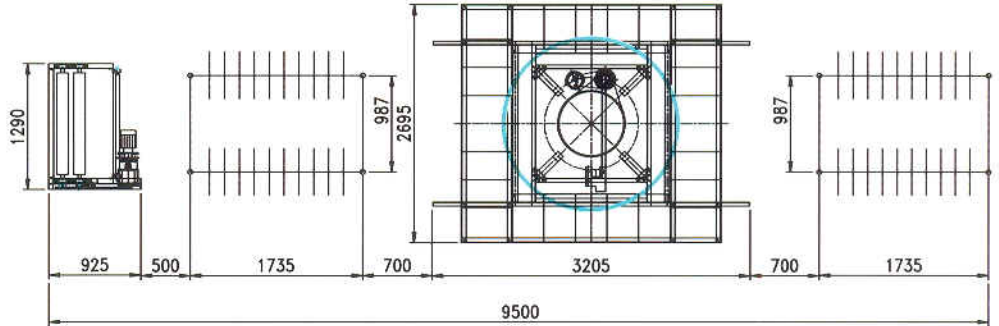
*The latest*



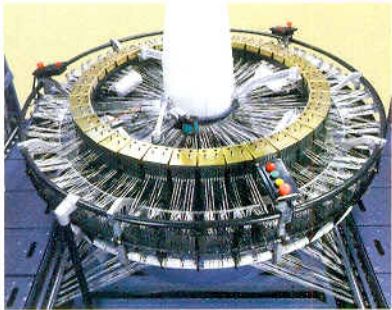


**GCL INDIA (P) LIMITED**

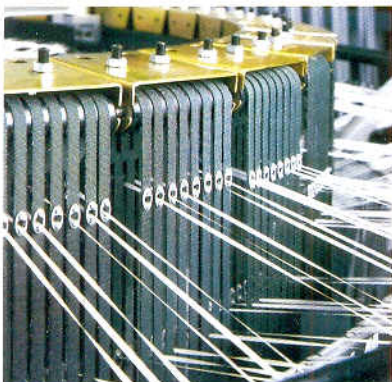
An ISO 9001 : 2000 Certified Company



Shuttles



Central View



Heald Belt

## TECHNICAL SPECIFICATIONS

### CIRCULAR LOOM

MODEL	GCL – 6S
Number of Shuttles	6
Working width - Tubular	48 - 84 cms
At reduced speed	71 - 84 cms
Weft Insertion speed *	780 - 900 PPM
Creel Capacity	720
<b>Warp Bobbin:</b>	
Inside Diameter of the pipe	35 mm
Length of the pipe	218 mm
Traverse Length of the bobbin	200 mm
Bobbin Diameter	130 mm
<b>Weft Bobbin:</b>	
Inside Diameter of the pipe	35 mm
Length of the pipe	218 mm
Traverse Length of the bobbin	200 mm
Bobbin Diameter	115 mm
<b>Power:</b>	
Main Motor- I No.	2.98 kW
Winding unit Motor - I No.	0.18 kW
Layout space in meters (L x W x H)	9.5 X 2.44 X 3.15
Weight of the machine - approx.	2000 Kgs

\* Depending upon width of the fabric, denier, mesh & quality of tape.

### GCL INDIA (P) LIMITED

A-419, 10th Main, 2nd Stage,  
Peenya Industrial Estate,  
Bangalore - 560 058. INDIA  
Ph: +91 - 80 - 2836 2500 (8 Lines)  
Fax: +91 - 80 - 2836 2525  
E-mail: [marketing@gclindia.com](mailto:marketing@gclindia.com)  
Website: [www.gclindia.com](http://www.gclindia.com)

### Regional Offices

#### NORTH - New Delhi:

311, Plot No. 1, Harsha Corner  
Complex, DDA, Local Shopping  
Centre Main Road,  
Gazipur, New Delhi - 110 096.  
Telefax: 011 - 2223 9957  
Mobile: (0)98104 66949

#### EAST - Kolkata:

GC 171, Sector 3,  
Salt Lake City, Kolkata - 700 106.  
Ph: 033 - 2321 7558  
Fax: 033 - 2337 7426

#### WEST - Ahmedabad:

4th Floor, Mistri Chambers,  
Near Cama Hotel,  
Bhavans College Road,  
Khanpur, Ahmedabad - 380 001.  
Cell: (0) 9825125273  
e-mail: [gclahm@yahoo.com](mailto:gclahm@yahoo.com)

#### WEST - Mumbai:

Contact No.  
98204 49552